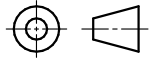


3rd ANGLE PROJECTION

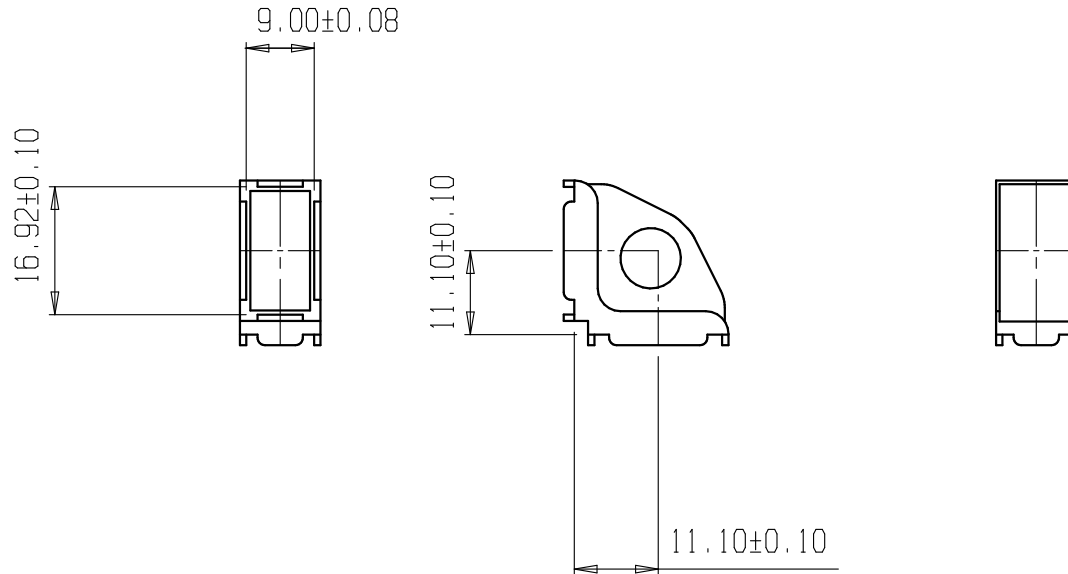


DRAWING TO BE READ IN CONJUNCTION WITH BS 308

NOTES.

1, ELECTRICAL SPEC:  
 FREQUENCY: 12.4 - 18.0 GHz  
 VSWR: 1.05 : 1 MAX

2, GEN WALL THICKNESS 0.90mm U.D.S.



| SYLATECH PART No. | MATERIAL  | FINISH           |
|-------------------|---|------------------|
| 18301/A           | ALUMINIUM LM31 AS PER BS EN 1559-1, 1559-4, 1676, 1706. | STEEL SHOT BLAST |

|  |             |   |         |
|--|-------------|---|---------|
| Unless otherwise stated, Dim's are in MILLIMETRES. Tolerances; | 2           | ADD ELEC SPEC, WALL THICKNESS NOTE AND MATL / FINISH TABLE. ECR5042, N.K, 25-6-14 |         |
|  | 1           |   | 5-11-01 |
| -  | ISS.        | DCR No.   | DATE    |
|  | APP'D E     | P.H.  | 5-11-01 |
|  | APP'D M     | M.T.  | 5-11-01 |
|  | CHECKED     | S.T.R.  | 1-11-01 |
|  | DRAWN       | M.T.  | 1-11-01 |
|  | USED ON     |   |         |
|  | PART No.    | 18301   |         |
|  | DRG No.     | CS13847   |         |
|  | DRG SIZE A4 |   |         |

SYLATECH LTD  
 KIRKDALE ROAD  
 KIRKBYMOORSIDE  
 N. YORKS YO62 6PX

TITLE OUTLINE DRAWING  
 WG 18 90° H BEND CASTING  
 ( FOR 0.5mm WALL WG )

|           |        |
|-----------|--------|
| MATERIAL  | FINISH |
| SEE TABLE | CLEAN  |

ORIGINAL SCALE  
 1:1  
 DO NOT SCALE THIS PRINT  
 SHEET  
 1 of 1

|                     |       |
|---------------------|-------|
| Cast Tol's as below |       |
| 10 - 20             | ±0.10 |
| 20 - 30             | ±0.15 |
| 30 - 40             | ±0.20 |
| 40 - 50             | ±0.25 |
| 50 - 60             | ±0.30 |
| 60 - 70             | ±0.35 |
| 70 - 80             | ±0.40 |
| 80 - 90             | ±0.45 |

THIS DRAWING IS THE PROPERTY OF SYLATECH LTD. AND MUST NOT BE REPRODUCED WITHOUT PRIOR WRITTEN APPROVAL.