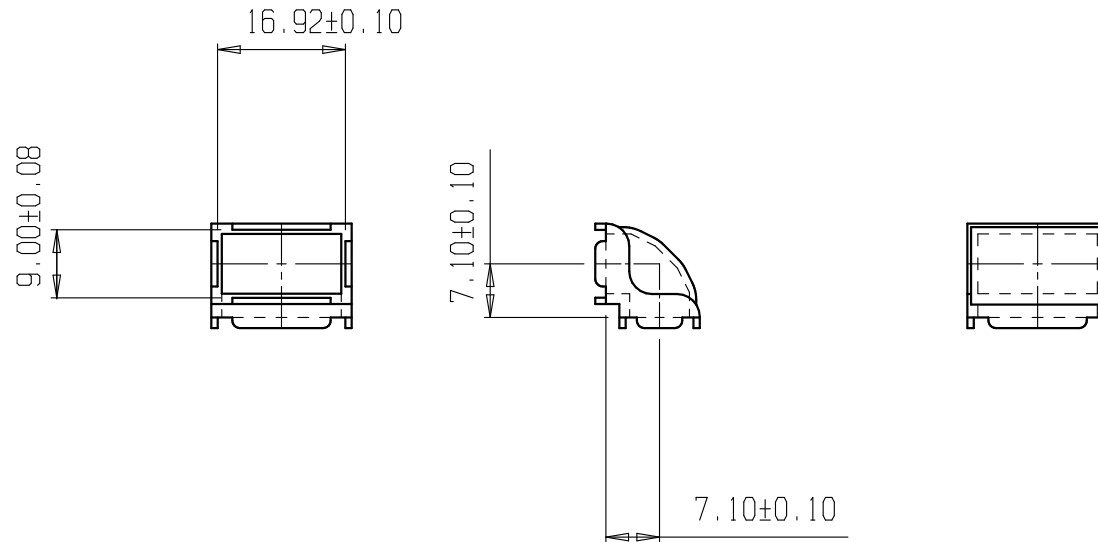


3rd ANGLE PROJECTION 
 DRAWING TO BE READ IN CONJUNCTION WITH BS 308

NOTES.

1, ELECTRICAL SPEC:
 FREQUENCY: 12.4 - 18.0 GHz
 VSWR: 1.10 : 1 MAX

2, GEN WALL THICKNESS 0.90mm U.D.S.



SYLATECH PART No.	MATERIAL	FINISH
18302	ALUMINIUM LM31 AS PER BS EN 1559-1, 1559-4, 1676, 1706.	STEEL SHOT BLAST

Unless otherwise stated, Dim's are in MILLIMETRES. Tolerances;	2	ADD ELEC SPEC, WALL THICKNESS NOTE AND MATL / FINSH TABLE: ECR5042, N.K, 25-6-14		
	1		5-11-01	
	ISS.	DCR No.	DATE	
		APP'D E	P.H.	5-11-01
		APP'D M	M.T.	5-11-01
		CHECKED	S.T.R.	2-11-01
	DRAWN	M.T.	2-11-01	
	USED ON			
	PART No.	18302		
	DRG No.	CS13849		
	DRG SIZE A4			

SYLATECH LTD KIRKDALE ROAD KIRKBYMOORSIDE N.YORKS YO62 6PX	TITLE OUTLINE DRAWING WG 18 90° E BEND CASTING (FOR 0.5mm WALL WG)		ORIGINAL SCALE 1:1 DO NOT SCALE THIS PRINT
	MATERIAL SEE TABLE	FINISH CLEAN	SHEET 1 of 1

Cast Tol's as below	
10 - 20	±0.10
20 - 30	±0.15
30 - 40	±0.20
40 - 50	±0.25
50 - 60	±0.30
60 - 70	±0.35
70 - 80	±0.40
80 - 90	±0.45

THIS DRAWING IS THE PROPERTY OF SYLATECH LTD. AND MUST NOT BE REPRODUCED WITHOUT PRIOR WRITTEN APPROVAL.