

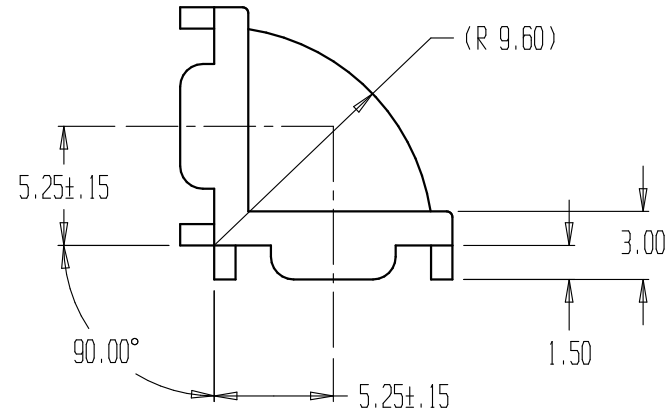
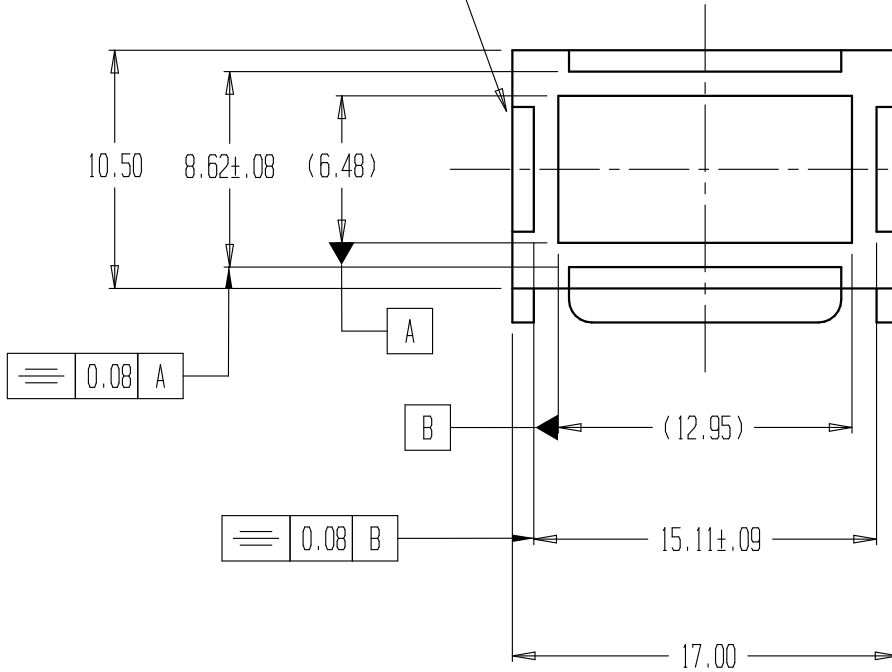
NOTES.

1, ELECTRICAL SPEC:
 FREQUENCY: 15.0 - 22.0GHz
 VSWR: 1.10 : 1 MAX

2, GEN WALL THICKNESS 1.02mm U.O.S.

TYPE '19002' CAST ON THIS FACE

LOGO CAST ON THIS FACE



THIS DRAWING IS THE PROPERTY OF SYLATECH AND MUST NOT BE REPRODUCED WITHOUT PRIOR WRITTEN APPROVAL

SYLATECH PART No.	MATERIAL	FINISH
19002/A	ALUMINIUM LM31 AS PER BS EN 1559-1, 1559-4, 1676, 1706.	STEEL SHOT BLAST
19002/B	BRASS MB1 AS PER ASTM B 584	60/40 ALUMINIA GRIT BLAST
19002/R	ALUMINIUM 3003	STEEL SHOT BLAST

APP'D E			4	24-6-14	ADD ELEC SPEC AND WALL THICKNESS NOTE. ECR5042, BY N.K, 24-6-14
APP'D M			3	16-6-11	REDRAW ON CADKEY, ADD MATL AND FINISH BOX, BY N.K ON 16-6-11 SEE DCR4686
CHECKED			2	5-5-84	
DRAWN	NIC	19-3-81	1	19-3-81	
ISS	DATE	DESCRIPTION OF CHANGE or DCR No.			

USED ON	TITLE	MATERIAL	FINISH	TOLERANCES	ORIGINAL SCALE
PART No. 19002	WG19 90° 'E' BEND OUTLINE DRG	SEE TABLE	SEE TABLE	GEN ± 0.25 ANG ± 0.5°	3 : 1
DRG No. CS1456					
SHT 1 OF 1					
UNLESS OTHERWISE STATED, DIM'NS ARE IN MILLIMETERS					