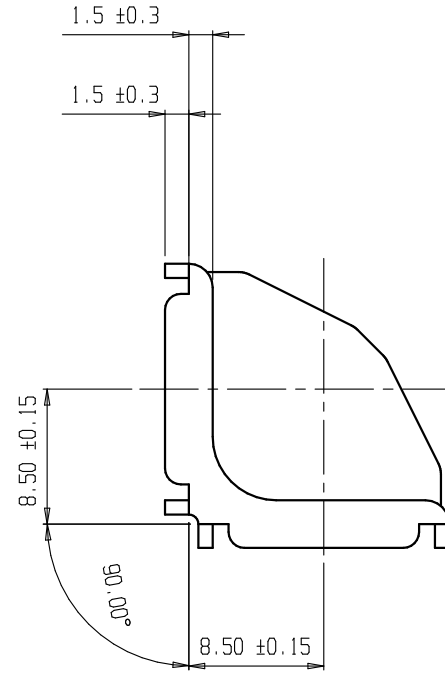
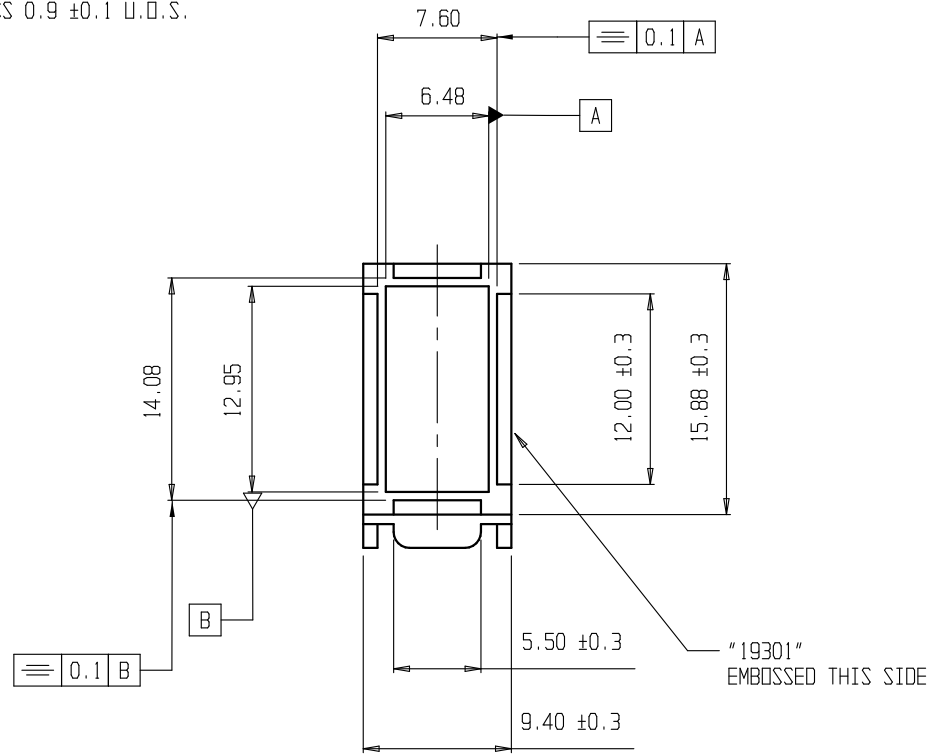


NOTES

1, ELECTRICAL SPEC - VSWR 1.05 : 1 MAX
 FREQUENCY: 15.0 - 22 .0 GHz

2, WALL THICKNESS 0.9 ±0.1 U.O.S.



3rd ANGLE PROJECTION DRAWING TO BE READ IN CONJUNCTION WITH BS 308

changes at issue 2
 matl spec BS 1490 was BS EN 1559-1 & -4,
 1676 & 1706
 mt 15-9-14

SYLATECH PART No	MATERIAL	FINISH
19301/A	ALUMINIUM LM31 AS PER BS 1490	STEEL SHOT BLAST
19301/B	BRASS MB1 AS PER ASTM B 584	60/40 ALUMINIA GRIT BLAST

Unless otherwise stated,
 Dim's are in MILLIMETRES.
 Tolerances;

Gen tol ±0.08
 Ang. ±0.5°

Cost Tol's as below

10 - 20	±0.10
20 - 30	±0.15
30 - 40	±0.20
40 - 50	±0.25
50 - 60	±0.30
60 - 70	±0.35
70 - 80	±0.40
80 - 90	±0.45

SYLATECH LTD
 KIRKDALE ROAD
 KIRKBYMOORSIDE
 N. YORKS YO62 6PX

TITLE
 WG19 90° H BEND THIN WALL & SOCKET
 TO SUIT .020" WG TUBE, O/L DRG

MATERIAL
 SEE TABLE

FINISH
 SEE TABLE

ORIGINAL SCALE
 3 : 1
 DO NOT SCALE
 THIS PRINT

SHEET
 1 of 1

2	ECR5092	15-9-14
1		21-6-11
ISS.	DCR No.	DATE
APP'D E	IJW	21-6-11
APP'D M	STR	15-6-11
CHECKED	STR	15-6-11
DRAWN	N.K	15-6-11
USED ON		
PART No.	19301	
DRG No.	CS17365	
DRG SIZE	A3	